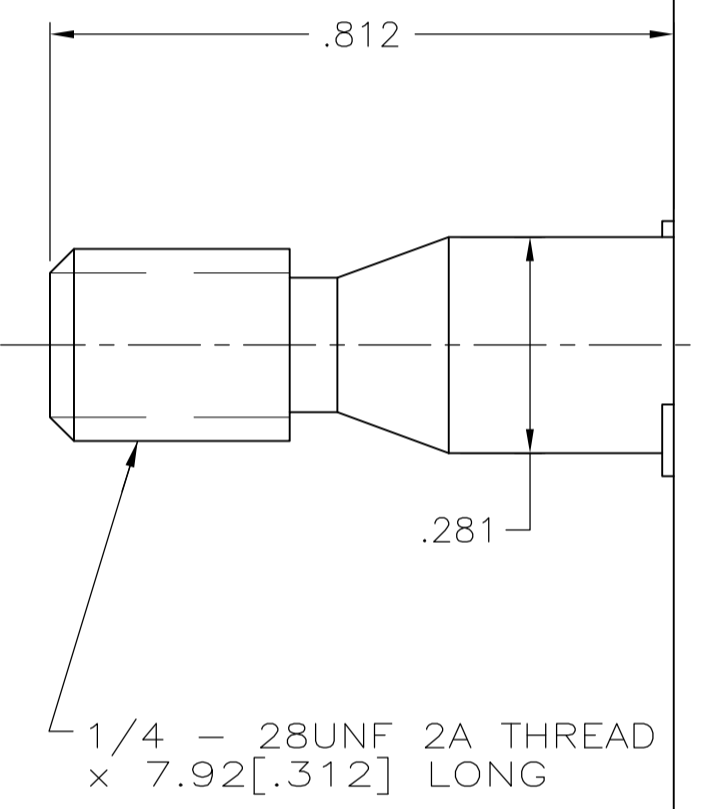
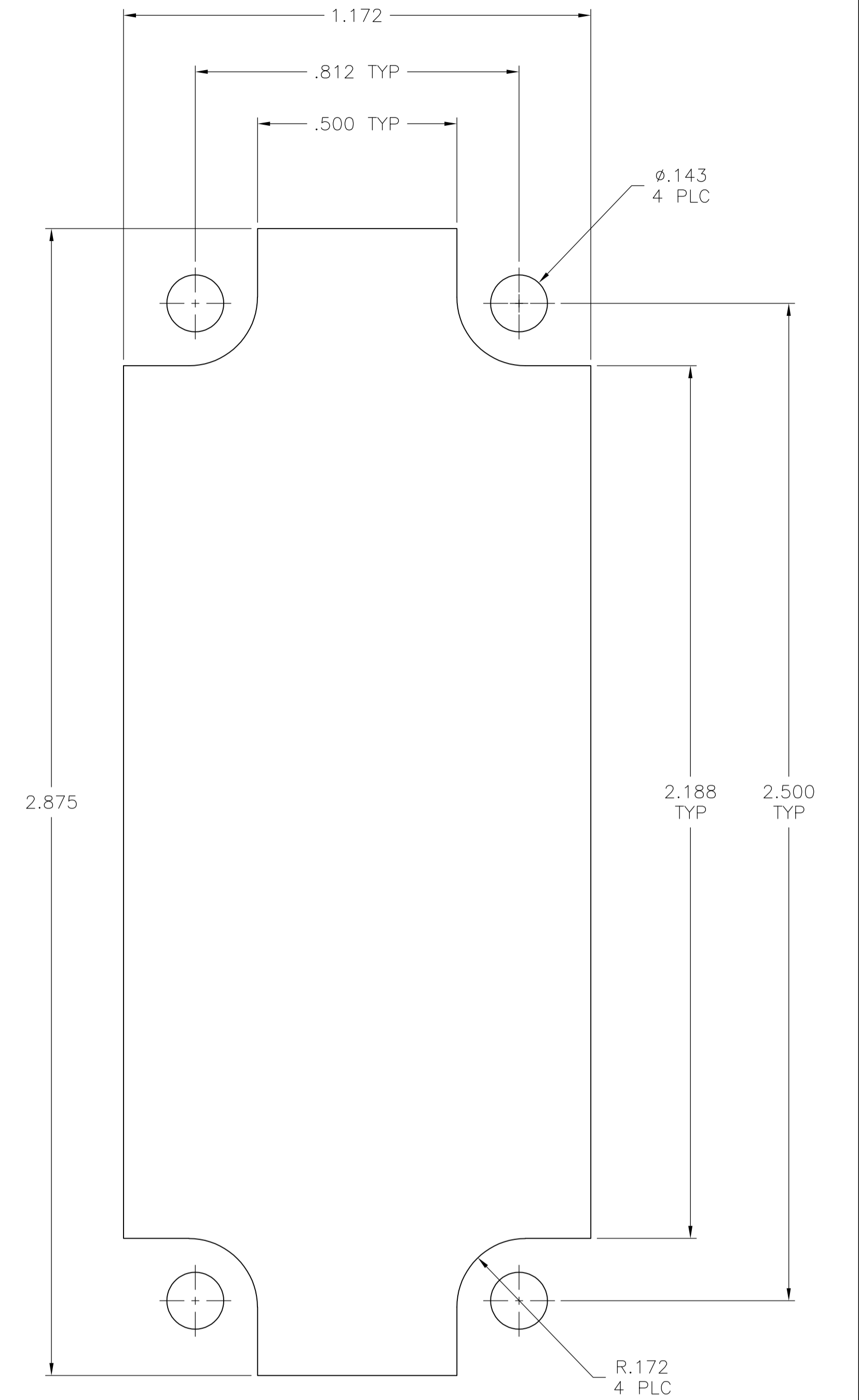
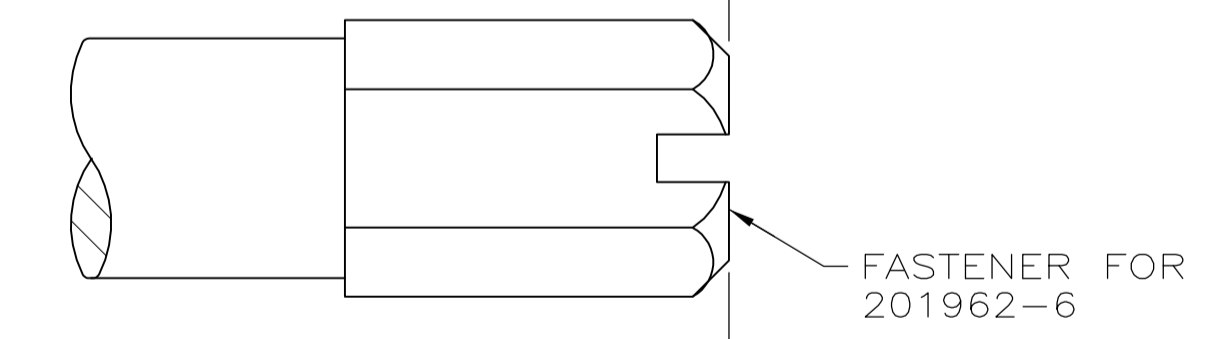
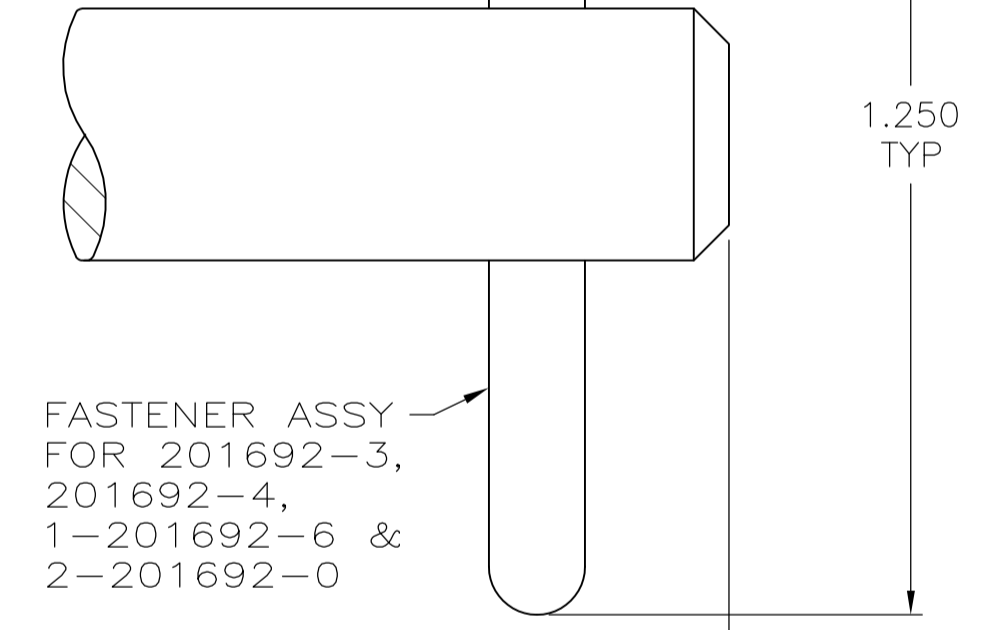
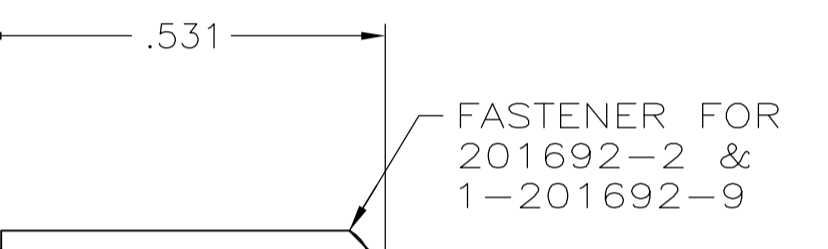
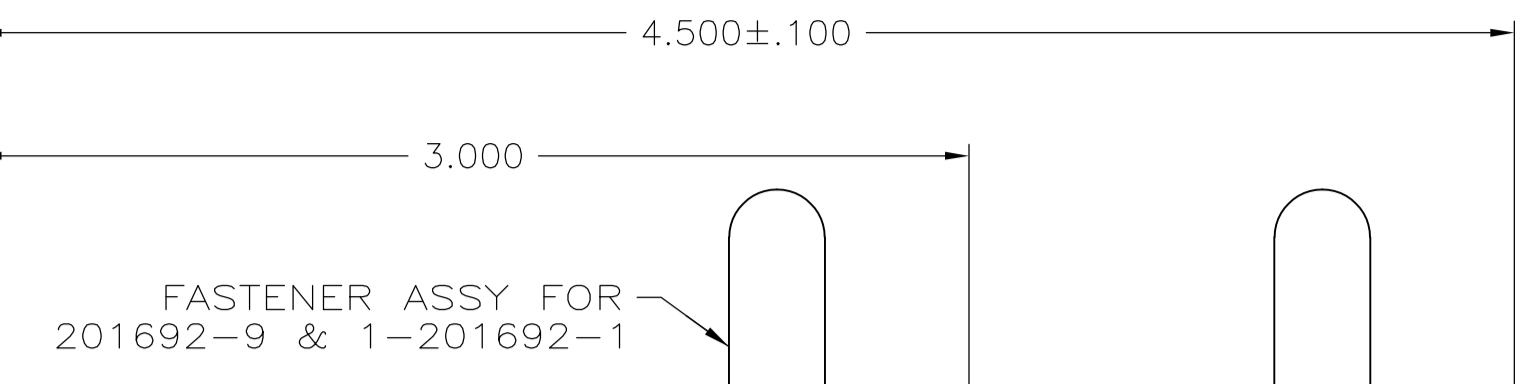


MATING FACE
MOLDED CHARACTERS BOTH SIDES

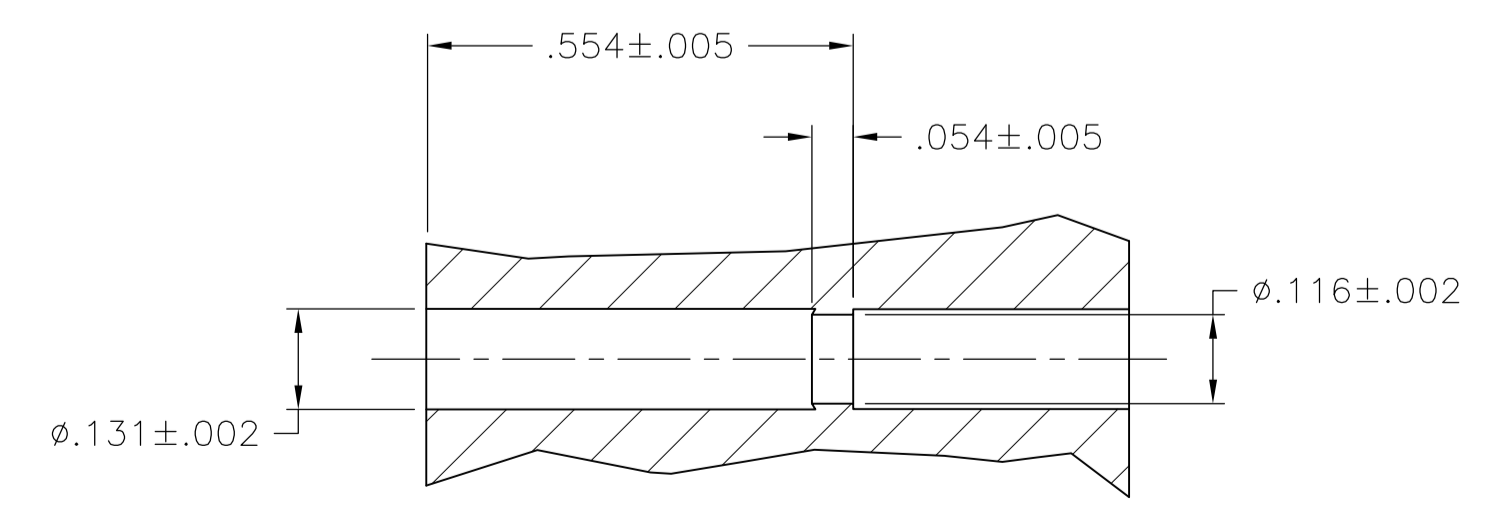
.150 TYP
.075 TYP



AMP, PART NUMBER & DATE CODE IN THIS AREA



PANEL CUT-OUT DETAIL



- 1 PHENOLIC PER MIL-M-14F, TYPE MFH, BLACK.
- 2 DIALLYL PHTHALATE PER MIL-M-14F, TYPE SDG-F, BLUE.
- 3 VALOX 420 SEO.
- 4 ACCOMMODATES TYPE II OR TYPE III SIZE #16 SOCKET CONTACTS.
- 5 STAINLESS STEEL.
- 6 FOR MATING BLOCK SEE CUSTOMER DRAWING 201532.

1	2-201692-0
3	1-201692-9
1	1-201692-7
3	1-201692-6
1	1-201692-1
2	201692-9
1	201692-6
1	201692-4
2	201692-3
1	201692-2
BLOCK MATERIAL	PART NUMBER

THIS DRAWING IS A CONTROLLED DOCUMENT.

DIMENSIONS: INCHES	TOLERANCES UNLESS OTHERWISE SPECIFIED:	DIN C. REIFSNYDER 14 DEC 95	CHK C. DORWART 19 DEC 95	APVD G.A. STEINHAEUER 03 JAN 96	NAME
0 PLC ± -	1 PLC ± -	2 PLC ± 0.38[.015]	3 PLC ± -	4 PLC ± -	ANGLES ± -
MATERIAL BLOCK: SEE TABLE HARDWARE & INSERTS	FINISH	WEIGHT	SIZE A1	CAGE CODE 00779	DRAWING NO. C=201692
CUSTOMER DRAWING		SCALE 4:1	SHEET 1 OF 1	REV AN2	RESTRICTED TO

STE TE Connectivity
PLUG BLOCK ASSEMBLY, 104 POSITION, RECTANGULAR M SERIES